



Selection: Compact Screw Compressors CS // CSV

Input Values

Compressor model	(CSH9571-180Y)	Operating mode	Standard
Refrigerant	R134a	Power supply	400V-3-50Hz
Reference temperature	Dew point temp.	Capacity control	100%
Liq. subc. (in condenser)	0 K	Additional cooling	Automatic
Suct. gas superheat	10,00 K	Max. discharge gas temp.	110,0 °C
Useful superheat	100%		

Result

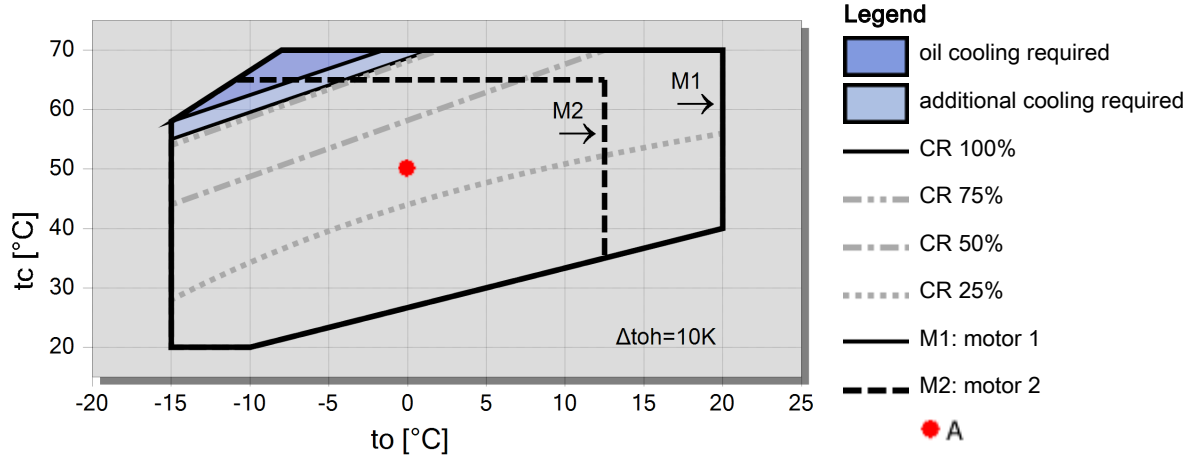
Q [W]	Cooling capacity	mHP [kg/h]	Mass flow HP
P [kW]	Power input	Qac [kW]	Additional cooling
I [A]	Current	tcu [°C]	Liquid temp.
COP [-]	COP/EER	pm [bar(a)]	ECO pressure
mLP [kg/h]	Mass flow LP	Qsc [kW]	sub cooler capacity (ECO)

tc	to	10°C	5°C	0°C	-5°C	-10°C	-15°C	-20°C	-25°C
30°C	Q [W]	--	525251	434413	356031	288482	230229	--	--
	P [kW]	--	83,0	80,5	78,2	76,0	74,1	--	--
	I [A]	--	139,1	135,7	132,4	129,4	126,9	--	--
	COP [-]	--	6,33	5,39	4,56	3,80	3,11	--	--
	mLP [kg/h]	--	11226	9463	7909	6540	5329	--	--
	mHP [kg/h]	--	11226	9463	7909	6540	5329	--	--
	Qac [kW]	--	--	--	--	--	--	--	--
	tcu [°C]	--	30,0	30,0	30,0	30,0	30,0	--	--
	pm [bar(a)]	--	--	--	--	--	--	--	--
Qsc [kW]	--	--	--	--	--	--	--	--	
40°C	Q [W]	574221	475181	389712	316155	252957	198658	--	--
	P [kW]	101,9	99,7	97,9	96,2	94,3	92,0	--	--
	I [A]	166,6	163,3	160,7	158,2	155,5	152,1	--	--
	COP [-]	5,64	4,77	3,98	3,29	2,68	2,16	--	--
	mLP [kg/h]	13191	11138	9327	7732	6326	5084	--	--
	mHP [kg/h]	13191	11138	9327	7732	6326	5084	--	--
	Qac [kW]	--	--	--	--	--	--	--	--
	tcu [°C]	40,0	40,0	40,0	40,0	40,0	40,0	--	--
	pm [bar(a)]	--	--	--	--	--	--	--	--
Qsc [kW]	--	--	--	--	--	--	--	--	
50°C	Q [W]	508244	417241	339004	271984	214743	165943	--	--
	P [kW]	124,4	122,5	120,6	118,6	115,8	112,0	--	--
	I [A]	201	197,6	194,9	191,8	187,6	181,8	--	--
	COP [-]	4,08	3,41	2,81	2,29	1,85	1,48	--	--
	mLP [kg/h]	12941	10864	9034	7425	6010	4766	--	--
	mHP [kg/h]	12941	10864	9034	7425	6010	4766	--	--
	Qac [kW]	--	--	--	--	--	--	--	--
	tcu [°C]	50,0	50,0	50,0	50,0	50,0	50,0	--	--
	pm [bar(a)]	--	--	--	--	--	--	--	--
Qsc [kW]	--	--	--	--	--	--	--	--	

-- No calculation possible (see message in single point selection)

*According to EN12900 (10K suction gas superheat, 0K liquid subcooling, see tech. data/ notes)

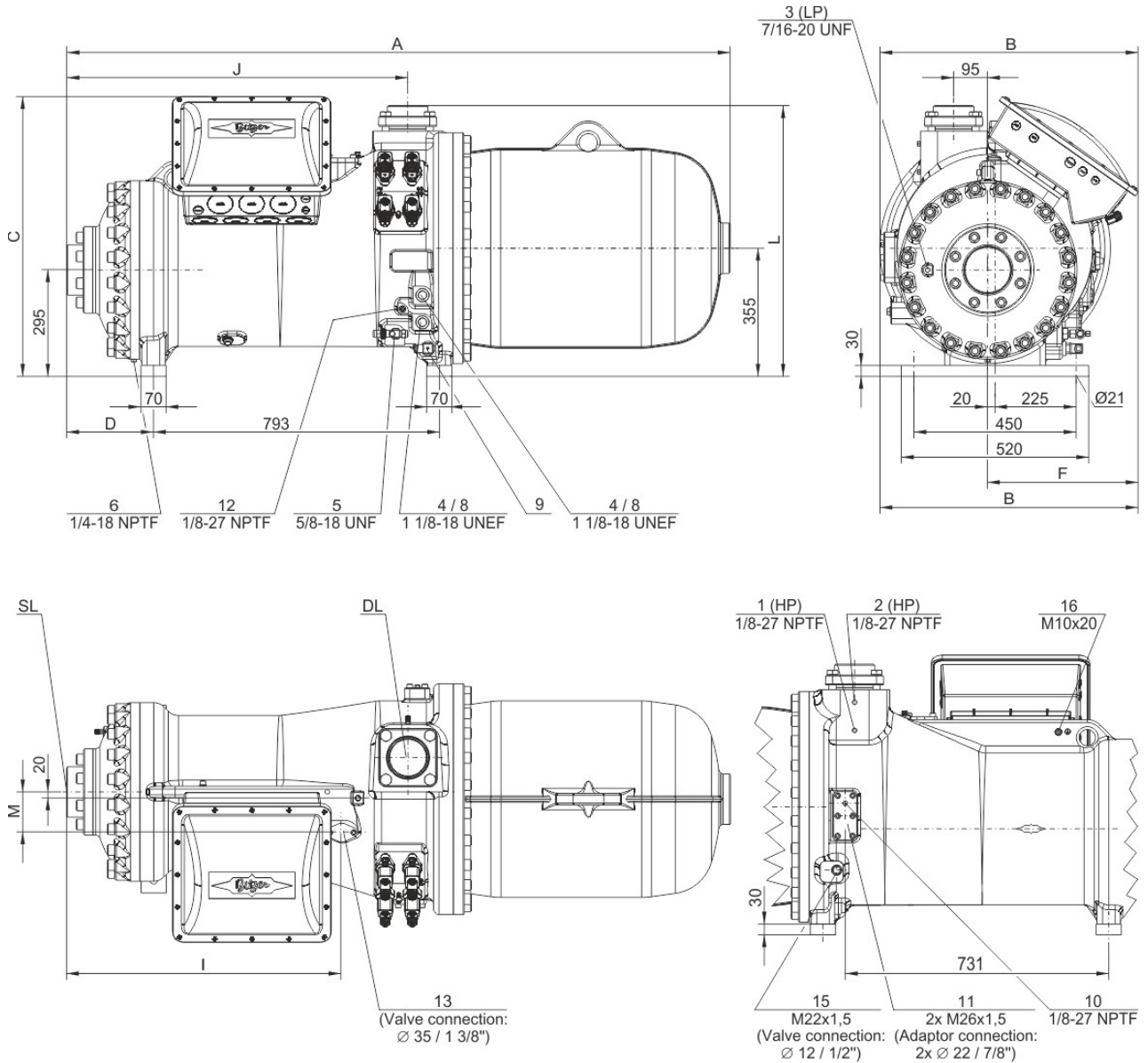
Application Limits Standard CSH9571-180





Technical Data: (CSH9571-180Y)

Dimensions and Connections



	A mm	B mm	C mm	D mm	F mm	I mm	J mm	L mm	M mm	DL mm	SL mm
CSH9553 CSH9563 CSH9573	1824	717	776	224	417	746	930	744	106	Ø76 (3 1/8")	DN100
CSH9583-210Y CSH9593-240Y	1842	717	776	242	417	764	948	751	113	DN100	DN125
CSH9583-280(Y) CSH9593-300(Y)	1869	717	776	269	417	791	975	751	113	DN100	DN125
CSH95103-280Y	1955	731	796	269	431	791	975	758	113	DN100	DN125
CSH95103-320(Y) CSH95113-320Y	1975	731	796	289	431	810	995	758	113	DN100	DN125

Die Verwendung größerer Sauggasflansche führt zu längeren Maßen A, D und J.
Using larger suction gas flanges changes the dimensions A, D and J.

Technical Data

Technical Data



Displacement (2900 RPM 50 Hz)	700 m ³ /h
Displacement (3500 RPM 60 Hz)	845 m ³ /h
Weight	1280 kg
Max. pressure (LP/HP)	19 / 28 bar
Connection suction line	DN 100
Connection discharge line	76 mm - 3 1/8"
Oil type R134a/R407C/R404A/R507A/R407A/R407F	BSE170 (Standard)

Motor data

Motor voltage (more on request)	380-415V D-3-50Hz
Max operating current	310.0 A
Starting current (Rotor locked)	465.0 A Y / 1442.0 A D
Max. Power input	204,0 kW

Extent of delivery (Standard)

Enclosure class	IP54
Oil heater	300 W (Standard)
Oil separator	Standard
Oil filter	Standard
Discharge gas temperature sensor	Standard
Start unloading	Standard
Capacity Control - 4-step	100-75-50-25% (Standard)
Capacity Control - infinite	100-25% (Standard)
Built-in check valve	Standard
Motor protection	SE-E1 (Standard), INT69VSY-II(Standard for 660-690V)
Oil charge	35,0 dm ³

Available Options

Oil level switch	Option
Discharge shut-off valve	Option
Suction shut-off valve	Option
Shut-off valve for ECO with muffler	Option
Liquid injection with integrated nozzle	Option
Bridges for DOL start	Option
Vibration dampers	Option



Compact Screw Compressors CS

Reference points for evaporating and condensing pressures

Connection positions 1 (HP) and 3 (LP) on the compressor (see dimensions). The pressure drop for shut-off valves and check valves has not been taken into consideration. This is the worldwide state of the art for compact screws, as in factory-produced chillers shut-off valves are often omitted and the check valve can also be arranged as an external component in the discharge line. For the sake of the international comparability of performance data, this standard has been adopted for the screw compressors of the CSH/CSW/CSVH series.

ASERCOM certified performance data

The Association of European Refrigeration Component Manufacturers has implemented a procedure of certifying performance data. The high standard of these certifications is assured by:

- * plausibility tests of the data performed by experts.
- * regular measurements at independent institutes.

These high efforts result in the fact that only a limited number of compressors can be submitted. Due to this not all BITZER compressors are certified up to now. Performance data of compressors which fulfil the strict requirements may carry the label "ASERCOM certified". In this software you will find the label at the respective compressors on the right side below the field "result" or in the print out of the performance data. All certified compressors and further information are listed on the homepage of ASERCOM.

Legend of connection positions according to "Dimensions":

- 1 High pressure connection (HP)
 - 2 Additional high pressure connection
 - 3 Low pressure connection (LP)
 - 4 Oil sight glass
 - 5 Oil valve for maintenance (standard) / connection for oil equalisation (parallel operation)
 - 6 Oil drain plug (motor housing)
 - 7 CSH only, except CSH6583, CSH6593, CSH95103 and CSH95113: Connection for electro-mechanical oil level switch in case of replacing a CSH.1 by a CSH.3
 - 8 Connection for opto-electronical oil level switch (OLC-D1-S) CSVH: integrated into FI control
CS.105: connected to monitoring module
 - 9 Oil heater with sleeve (standard) CSVH: integrated into FI control
CS.105: connected to monitoring module
 - 10 Oil pressure connection
 - 11 External oil cooler connections (adaptor optional)
 - 11a outlet to oil cooler
 - 11b inlet / return from oil cooler
 - 12 Oil temperature sensor (PTC) CSVH: integrated into FI control
CS.105: connected to monitoring module
 - 13 Economiser connection (ECO) (shut-off valve optional CSH: with pulsation muffler)
 - 14 Threaded bore for pipe support
CS.L line for ECO or LI
CSVH:
14a line for ECO
14b line for FI cooling
 - 15 Liquid injection connection (LI) (CSH: shut-off valve optional)
 - 16 Earth screw for housing
 - 17 Connection for oil and gas return (for systems with flooded evaporator adaptor optional)
 - 18 Oil filter (maintenance connection)
 - 19 FI cooling (liquid refrigerant)
 - 20 Frequency inverter (FI)
 - 21 Oil injection valve (internal)
 - 24 Gas permeable plug
 - SL Suction gas line
 - DL Discharge gas line
- Dimensions can show tolerances according to EN ISO 13920-B.